

# COMPACT DISC PLAYER

*professional*



## CD Player INSTRUCTION MANUAL

## Important Safety Instructions

1. Read these instructions.
2. Keep these instructions.
3. Heed all warnings.
4. Follow all instructions.
5. Do not use this apparatus near water.
6. Clean only with a damp cloth.
7. Do not block any of the ventilation openings. Install in accordance with the manufacturer's instructions.
8. Do not install near any heat sources such as radiators, heat registers, stoves, or other apparatus (Including amplifiers) that produce heat.
9. Do not defeat the safety purpose of the polarized-type plug. A polarized plug has two blades with one wider than the other. The wide blade is provided for your safety. When the provided plug does not fit into your outlet, consult an electrician for replacement of the obsolete outlet.
10. Protect the power cord from being walked on or pinched particularly at plug, convenience receptacles, and the point where they exit from the apparatus.
11. Only use attachments/accessories specified by the manufacturer.
12. Use only with a cart, stand, tripod, bracket, or table specified by the manufacturer, or sold with the apparatus. When a cart is used, use caution when moving the cart/apparatus combination to avoid injury from tip-over.
13. Unplug this apparatus during lighting storms or when unused for long periods of time.
14. Refer all servicing to qualified service personnel. Servicing is required when the apparatus has been damaged in any way, such as power-supply cord or plug is damaged, liquid has been spilled or objects have fallen into the apparatus, the apparatus has been exposed to rain or moisture, does not operate normally, or has been dropped.

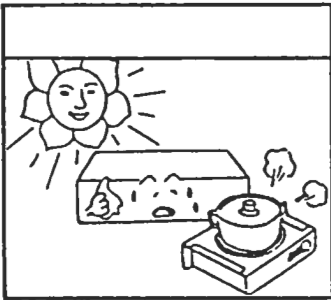


**WARNING:** To reduce the risk of fire or electric shock, do not expose this apparatus to rain or moisture. The apparatus shall not be exposed to dripping or splashing and that no objects filled with liquids, such as vases, shall be placed on the apparatus.

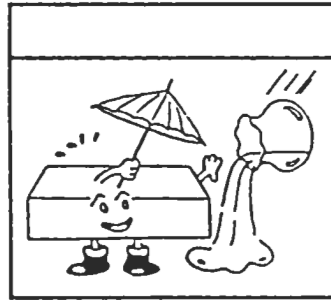
# TABLE OF CONTENTS

NOTE ON USE .....	2
FOR SAFE AND EFFICIENT OPERATION .....	2
DESCRIPTION OF THE FUNCTIONS .....	3
CONNECTIONS .....	4
BASIC OPERATION .....	5
TROUBLE SHOOTING .....	5

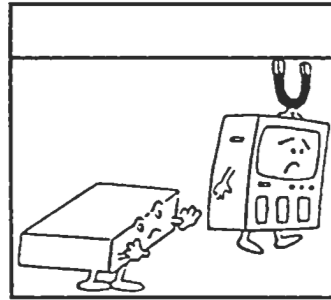
## NOTE ON USE



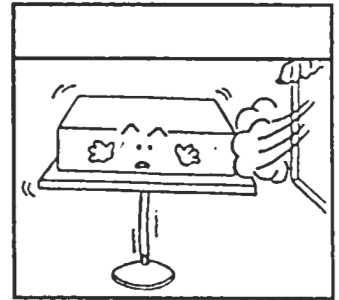
BE CAREFUL OF HIGH TEMPERATURE



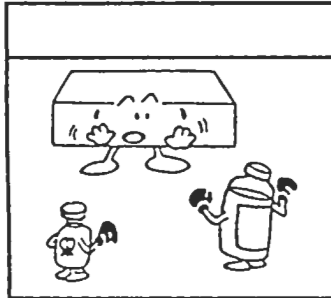
TO AVOID DUST & MOISTURE



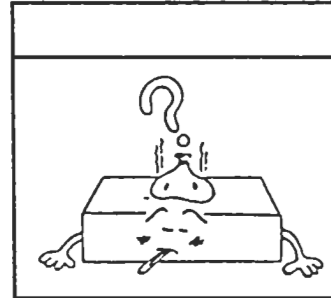
KEEP AWAY FROM TV & MAGNETISM



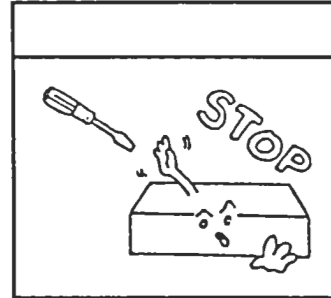
TO AVOID PLACING ON UNSTABLE LOCATION



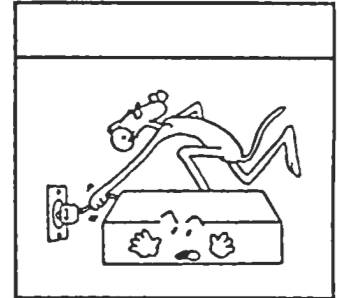
DO NOT USE CHEMICALS



IF OUT OF WORK, CONTACT SALES AGENCY IMMEDIATELY



DO NOT OPEN THE CASE

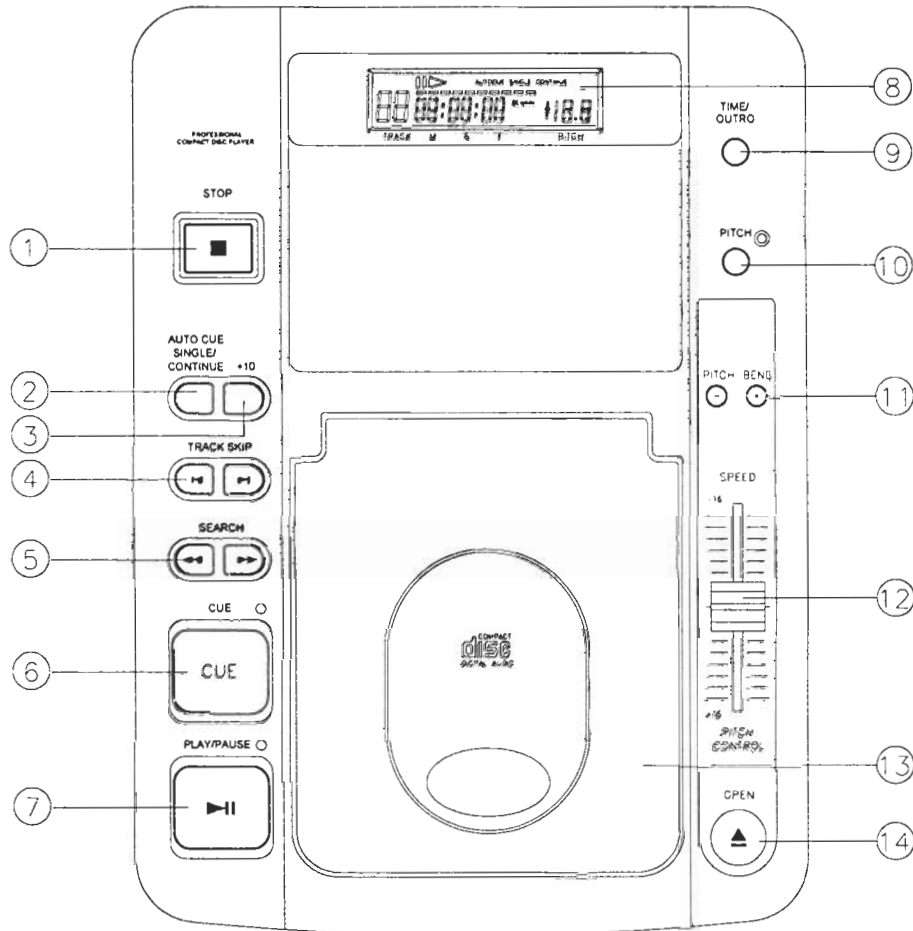


CARE WITH THE POWER CORD

## FOR SAFE AND EFFICIENT OPERATION

- 1. Be careful with heat and extreme temperature**  
Avoid exposing it to direct rays of the sun or near a heating appliance. Not put it in a temperature below 41°F /5°C, or exceeding 95°F /35°C.
- 2. Keep away from humidity, water and dust**  
Do not place the set in a location with high humidity or lots of dust. Containers with water should not be placed on the set.
- 3. Keep away from sources of hum and noise**  
Such as transformer motor, tuner, TV set and amplifier.
- 4. To avoid placing on un-stable location**  
Select a level and stable location to avoid vibration.
- 5. Do not use chemicals or volatile liquids for cleaning**  
Use a clean dry cloth to wipe off the dust, or a wet soft cloth for stubborn dirt.
- 6. If out of work, contact sales agency immediately**  
Any troubles arised, remove the power plug soon, and contact with an engineer for repairing, do not open the cabinet by yourself, it might result a danger of electric shock.
- 6-1. Take care with the power cable**  
Never pull the power cable to remove the plug from the receptacle, be sure to hold the plug. When not using the player for an extended period of time be sure to disconnect the plug from the receptacle.
- 7. Carefully handling the compact disc**  
Always keep the disc clean; do not use cracked or wrapped discs, it will damage the player.

## DESCRIPTION OF THE FUNCTIONS



1. **STOP**  
Press this button to stop the operation of the unit.
2. **CONTINUE/SINGLE (AUTO CUE)**  
Press this button to switch between the SINGLE and CONTINUE play modes. When SINGLE/AUTOCUE mode is selected, it indicates as PLAY 1 on the LCD. After each track, it enables the unit to pause at the beginning sound of the next track.
3. **+10**  
Each press of this button allows the unit to advance 10 tracks.
4. **TRACK SKIP**  
This button selects a specific track to be played.
5. **SEARCH**  
Use this button to quickly forward or reverse to change the start position of a playing. It also can be used for changing the sound speed.
6. **CUE**  
The CUE function allows the CD to be played from a setup point any number of times. Press the PLAY/PAUSE button to pause a playing song, then press the CUE button to set up a position where the play can be returned after the CUE button is hit again. The CUE LED will stop flashing from the time the CUE button is pressed.
7. **PLAY/PAUSE**  
Each press of this button cause the operation to change between PLAY and PAUSE modes.
8. **L.C.D.**  
This liquid crystal displays (L.C.D.) indicates the track numbers, time (minutes, seconds, frames), pitch speed, also other modes as Single/Autocue and Continue.

### 9. TIME/OUTRO

This button switches the time display between each Remaining time, Elapsed playing time, and Total remaining time; it also switches on and off the OUTRO function. When the display shows OUTRO, the player only plays the last 30 seconds of each track.

### 10. PITCH

This button changes the play speed.

Press PITCH button (the PITCH LED is lit) to enable the PITCH CONTROL SLIDER to increase or decrease the playing speed. When the PITCH is off, the speed automatically back to normal.

The pitch can be changed up to  $\pm 16\%$  by moving the slider up and down.

**NOTE:** (1) The pitch slider will not function if the PITCH LED is off.

(2) This pitch button will not have effects on PITCH bend.

### 11. PITCH BEND

Press the button for quick speed up and slow down..

### 12. PITCH CONTROL SLIDER

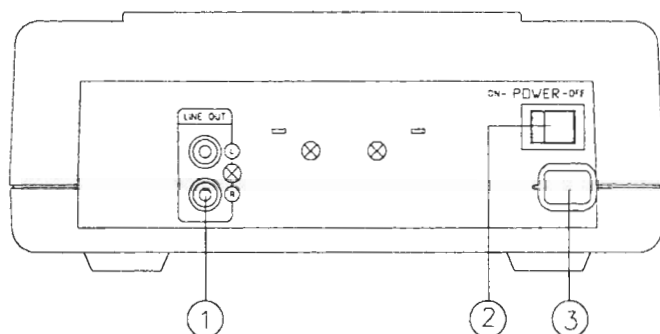
By moving the pitch control slider, you can achieve the playback speed you want between MINMUN (up side) & MAXMUN (down side).

### 13. DISC COMPARTMENT

For placing the CD disc inside on the tray.

### 14. OPEN

Press this button to open the disc compartment door, push the door in to close.



## CONNECTION

### 1. LINE OUT

Output connector, connected to the input terminals on amplifier or console.

### 2. POWER SWITCH

### 3. AC POWER CORD

Connect it to a power outlet.

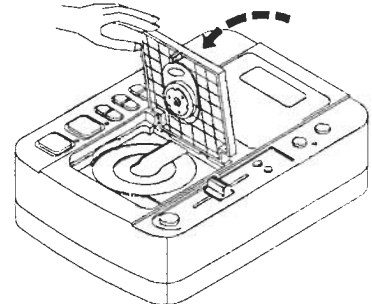
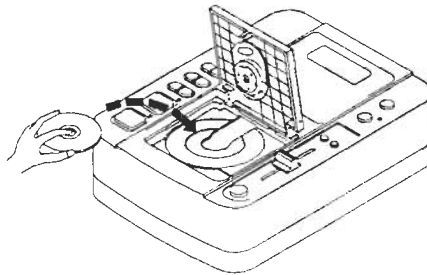
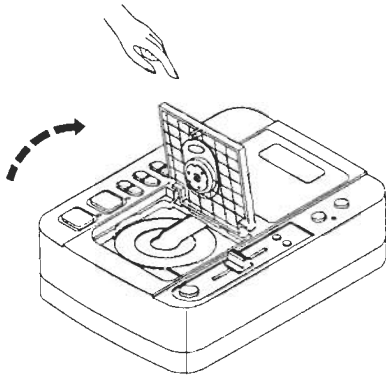
## BASIC OPERATION

### 1. Loading and ejecting the disc

\* Press the "OPEN" knob to open the disc compartment door.

\* Load disc  
Correctly place a disc in the center of disc compartment with the label side up not to place more than one disc.

\* Push the door in to close it.  
\* Press the PLAY/PAUSE button to start the playback.



### 2. Track skip

Use the TRACK SKIP control to advance (▶|) or reverse (◀|) to a desired track.

### 3. FRAME SEARCH

Press the search control (◀◀ or ▶▶) in pause mode to move by one frame per press; keep pressing the control, it will move rapidly with sound.

### 4. PITCH CONTROL KNOB

Move the knob toward +16 direction, the playback become fast; move it toward -16 direction, the playback become slow.

## TROUBLESHOOTING

Symptom	Cause	Remedy
Door can not be opened when the OPEN button is pressed.	Power plug is not connected properly.	Correctly connect the plug.
When playback is started, stops or pauses immediately.	* Disc is loaded upside down. * Dust or dirt on the disc.	* Load the disc with label side up. * Clean the disc and load it again.
No sound	* Output cables connected improperly. * Audio mixer operated improperly. * Pin plugs or amplifier terminals are dirty. * Player is in pause mode.	* Connect the cable properly. * Check the setting of audio mixer. * Press the PLAY/PAUSE button.
Sound is distorted	* Incorrect connection. * Pin plugs or amplifier terminals are dirty	* Connection with audio mixer to the LINE INPUT terminals. * Clean away the dirt.
Hum	Cable connected improperly.	* Firmly connect all audio plugs.